

ALBA POS



PERIPHERAL OPTIONS



9.7" Second Display



MSR



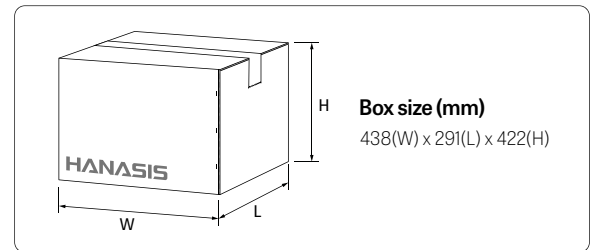
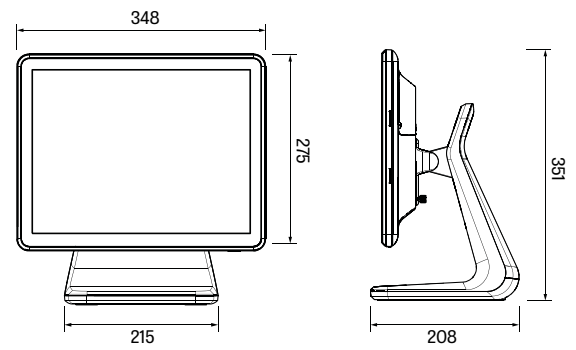
Customer Display (VFD)

SPECIFICATIONS

CPU & Chipset	Intel® Celeron® Processor N5095 (4M Cache, Up to 2.90 GHz) System on Chip (SoC)
Memory	DDR4 4GB SoDIMM (Up to 16GB)
Storage	mSATA SSD 128GB (Up to 512GB)
Display	15", 1024 x 768, 24Bit, Luminance : 350 cd/m ² , Backlight : LED
Touch Panel	15", Projective Capacitive Touch (Bezelless type)
HDMI	1EA (Intel® UHD Graphics)
LAN	1EA (Realtek Gigabit LAN)
Serial	5EA (DSUB-9P x 2EA / RJ-45 x 2EA / RJ-11 x 1EA(MSR))
USB	USB 3.0 x 4EA, USB 2.0 x 1EA (I/O)
Audio	1EA (Line Out)
Speaker	1EA (1W)
Cooler & FAN	Fanless
Power Adaptor	60[W] Adaptor, Input AC 100~240V/50~60HZ, DC 24V/2.5A (DIN 3-Pin)
Dimension (W x L x H) (mm)	438(W) x 291(L) x 422(H) (BOX)
Weight (kg)	5.1 kg

DIMENSION

Unit : mm



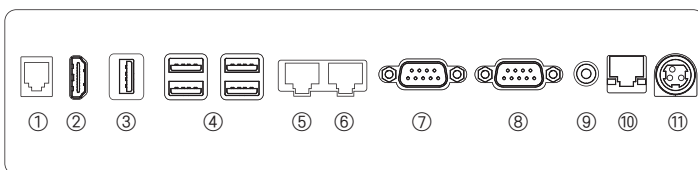
OPTION

OS	Windows 10 IoT / Windows 11 Pro * Windows 11 Pro PC Version only
Second Display	9.7"/15", TFT-LCD, 1024 x 768, LED Panel (Non-touch / PCAP Touch)
Customer Display	VFD Type, 20 Characters x 2 Lines (Serial RS-232)
Customer Card Reader	Dual-Track(1&2) or Triple-Track(1&2&3) (USB)
Case Color	All White / Black & Gray

ORDER CODE

Product code	Description
HAN-AL5PWWAE4NNZ1	N5095, 4GB, 128GB, OS, All White, Z1 Stand
HAN-AL5PWWBE4NNZ1	N5095, 4GB, 256GB, OS, All White, Z1 Stand
HAN-AL5PWWAE8NNZ1	N5095, 8GB, 128GB, OS, All White, Z1 Stand
HAN-AL5PWWBE8NNZ1	N5095, 8GB, 256GB, OS, All White, Z1 Stand
HAN-AL5PBGA4NNZ1	N5095, 4GB, 128GB, OS, Black/Gray, Z1 Stand
HAN-AL5PGBE4NNZ1	N5095, 4GB, 256GB, OS, Black/Gray, Z1 Stand
HAN-AL5PBGA8NNZ1	N5095, 8GB, 128GB, OS, Black/Gray, Z1 Stand
HAN-AL5PGBE8NNZ1	N5095, 8GB, 256GB, OS, Black/Gray, Z1 Stand

I/O INTERFACES



Description

- ① MSR (RJ-11)
- ② HDMI
- ③ P-USB (Display Only)
- ④ USB 3.0
- ⑤ COM#4 (RJ-45)
- ⑥ COM#3 (RJ-45)
- ⑦ COM#2 (DSUB-9P)
- ⑧ COM#1 (DSUB-9P)
- ⑨ Audio Jack (Line Out)
- ⑩ LAN (RJ-45)
- ⑪ DC-IN (24V)

COLOR



All White



Black & Gray



※ Product's Design and Specifications can be changed without any notification.

HANASIS

HANASIS Co., Ltd. | <http://www.hanasis.com>
17, Saneop-ro 155beon-gil, Gwonseon-gu, Suwon-si,
Gyeonggi-do, 16648, South KOREA

Tel. +82 70 4732 5264
Fax. +82 31 297 4381
Email. gsales@hanasis.com



HANASIS recommend Microsoft® Windows 10

