

HIT PLUS



PERIPHERAL OPTIONS



9.7" Second Display



MSR



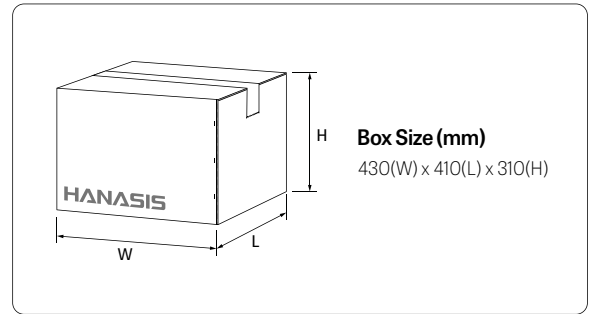
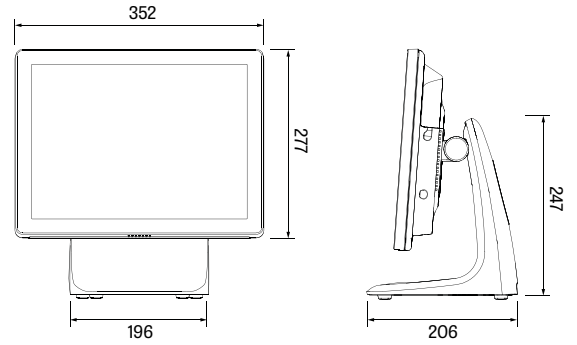
Customer Display (VFD)

SPECIFICATIONS

| | |
|-----------------------------------|--|
| CPU & Chipset | Intel® Celeron® Processor N5095 (4M Cache, Up to 2.90 GHz) System on Chip (SoC) |
| Memory | DDR4L 4GB SoDIMM (Up to 16GB) |
| Storage | 2.5", SATA-III SSD 128GB (Up to 512GB) (Optional RAID; Ask for details) |
| Display | 15", 1024 x 768, 24bit, Luminance : 350 cd/m ² , Backlight : LED |
| Touch Panel | 15", Projective Capacitive Touch (Bezelleless) |
| HDMI | 1EA (Intel® UHD Graphics) |
| LAN | 1EA (Realtek Gigabit LAN) |
| Serial | 5EA (DSUB-9P x 2EA / RJ-45 x 2EA / RJ-11 x 1EA(MSR)) |
| USB | USB 3.0 x 4EA(I/O), USB 2.0 x 2EA(Rear) |
| Audio | 1EA (Line Out) |
| Speaker | 1EA (1W) |
| Cooler & FAN | Fanless |
| Cash Drawer | 1EA (RJ-11) (DK Port Default : 24V/GPIO) |
| Power Adaptor | 60[W] Adaptor, Input AC100-240V/50-60HZ, DC 24V/2.5A (DIN 3-Pin) |
| Dimension (W x L x H) (mm) | 430(W) x 410(L) x 310(H) (BOX) |
| Weight (kg) | 4.8kg |

DIMENSION

Unit : mm



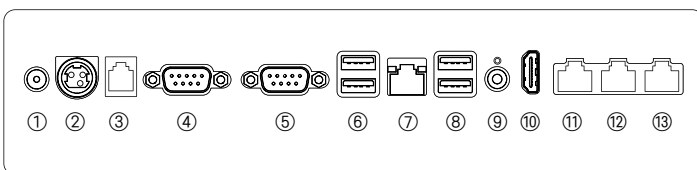
OPTIONS

| | |
|-----------------------------|--|
| OS | Windows 10 IoT / Windows 10 Pro (Windows 11 Pro PC Version Only) |
| Second Display | 9.7"/15", TFT-LCD, 1024 x 768, LED Panel (Non-touch / PCAP Touch) |
| Customer Display | VFD Type, 20 Characters x 2 Lines (Serial RS-232) |
| Customer Card Reader | Dual-Track(1&2) or Triple-Track(1&2&3) (USB) |
| Case Color | All Black / Black & White |

ORDER CODES

| Product Code | Description |
|--------------------------|--|
| HAN-HT5GBBAE4NNV3 | N5095, 4GB, 128GB, OS, All Black, V3 Stand |
| HAN-HT5GBBBE4NNV3 | N5095, 4GB, 256GB, OS, All Black, V3 Stand |
| HAN-HT5GBBAE8NNV3 | N5095, 8GB, 128GB, OS, All Black, V3 Stand |
| HAN-HT5GBBBE8NNV3 | N5095, 8GB, 256GB, OS, All Black, V3 Stand |

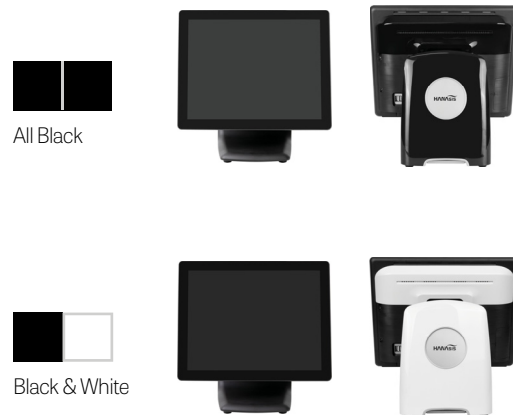
I/O INTERFACES



Description

- | | |
|-----------------------|-------------------------|
| ① DC-OUT (12V) | ⑧ USB 3.0 |
| ② DC-IN (24V) | ⑨ Audio Jack (Line Out) |
| ③ Cash Drawer (RJ-11) | ⑩ HDMI |
| ④ COM#1 (DSUB-9P) | ⑪ COM#3 (RJ-45) |
| ⑤ COM#2 (DSUB-9P) | ⑫ COM#4 (RJ-45) |
| ⑥ USB 3.0 | ⑬ COM#5 / MSR (RJ-45) |
| ⑦ LAN (RJ-45) | |

COLOR



* Product's Design and Specifications Can be Changed Without Any Notification.

HANASIS

HANASIS Co., Ltd. | <http://www.hanasis.com>
17, Saneop-ro 155beon-gil, Gwonseon-gu, Suwon-si,
Gyeonggi-do, 16648, South KOREA

Tel. +82 70 4732 5264
Fax. +82 31 297 4381
Email. gsales@hanasis.com



HANASIS recommend Microsoft® Windows 10

